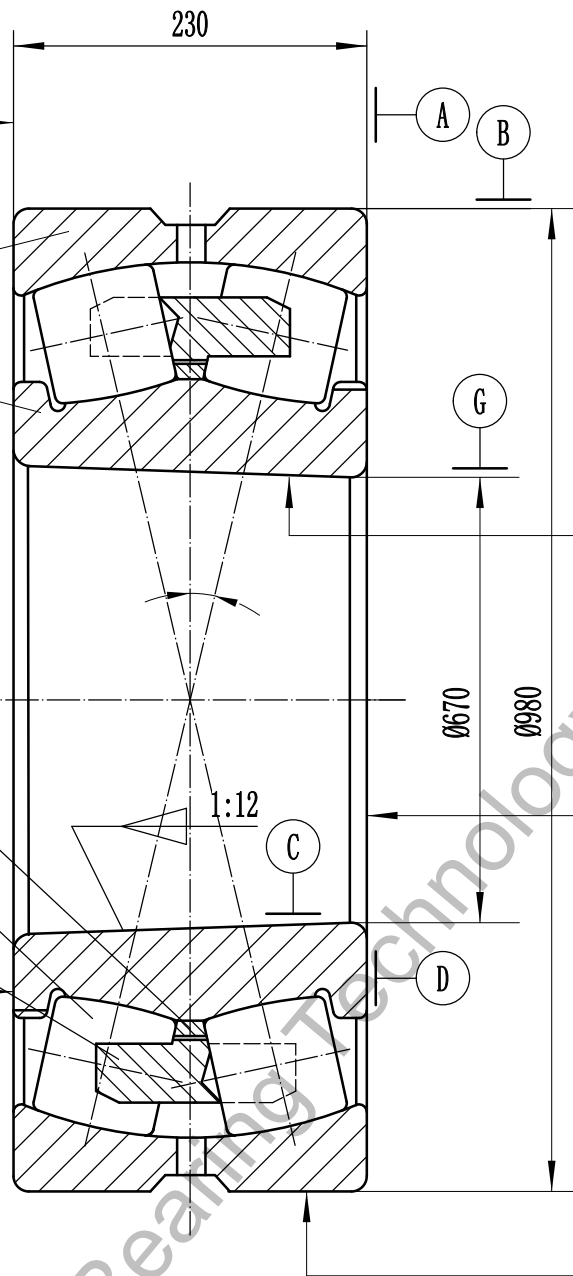




$V_{Cs}$  A



$V_{dsp}$   
 $V_{dmp}$   
 $K_{ia}$  B

$S_d$  G

$V_{Dsp}$   
 $V_{Dmp}$   
 $K_{ea}$  C  
 $S_D$  A

$V_{Bs}$  D

- 1、Tolerance of running accuracy are according to relevant state standard;
- 2、The value of the basic group of radial clearance:min \*\*\*\* max \*\*\*\*;
- 3、Rated load:  $C_r = ****$  kN  $C_{or} = ****$  kN.

62	Guide ring		Steel 20—GB/T699			
07	Cage		Brass CuZn39Pb2-EN 1652:1997			
04	Roller		Steel 100CrMnSi6-4—ISO 683-17:1999			
02	Inner ring		Steel 100CrMnSi6-4—ISO 683-17:1999			
01	Outer ring		Steel 100CrMnSi6-4—ISO 683-17:1999			
No.	Designation	Qty	Material	unit	toatl	Remark
				Weight (kg)		

Luoyang JCB Bearing Technology Co., Ltd  
 Contact information  
 Company Address : No. 285, Fenghua road,  
 Luoyang, Henan, China.  
 Postal code : 471000  
 Phone :86-379-68611678  
 Fax : 86-379-68611679  
 E-mail: sales@jcb-bearing.com  
 Reserved E-mail: sales@sphericalrollerbearing.net  
 Website: www.jcb-bearing.com  
 www.sphericalrollerbearing.net

## Spherical Roller Bearing

230-670 CAK/W33

		Weight (kg)	Scale
S			—
Total page 5		Page No. 1	